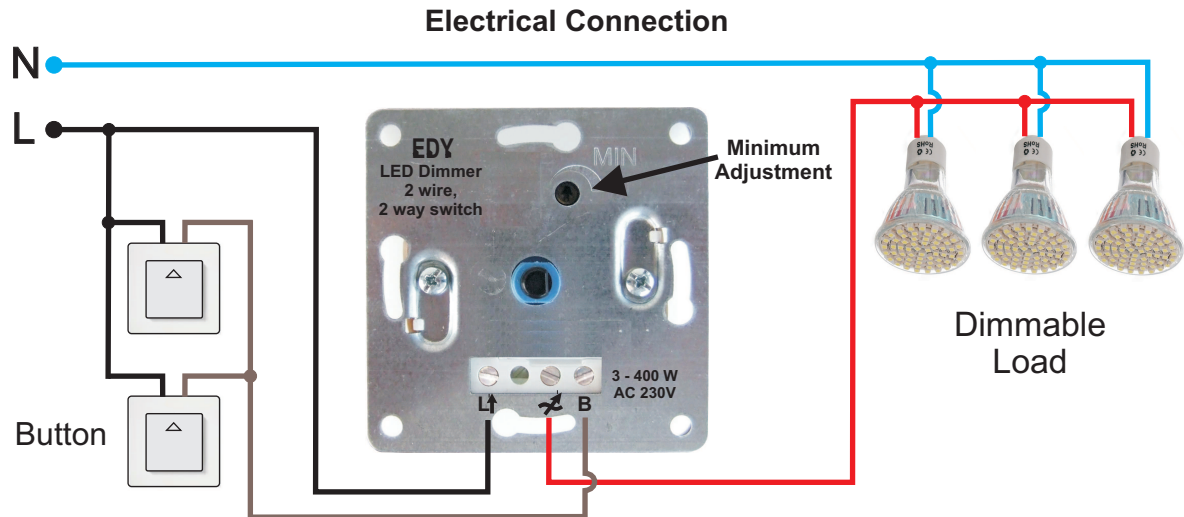


Digital Light Dimmer 400W DM-2



Product description-Operation

The wall mounting dimmer DM-2 is a 230V a.c./50Hz voltage regulator, specifically designed to fulfill the needs of indoor lighting adjustment, especially when alternative type of lamps such as lamps LED dimmable, economy lamps (dimmable CFL) and previous generation light bulbs, resistive or Halogen, are used.

The device is manufactured in accordance with Directives 2014/35 / EU, 2014/30 / EU and EN 60669-1: 2000, EN60669-2-1: 2002.

The device has two modes of operation: **Trailing Edge Mode** 400W (default) and **LED Mode** 150W. The dimmer mode changes by pressing the switch for more than 5 seconds. The mode is saved in the EEPROM memory, so it won't be lost in case of power failure.

It has a potentiometer with push switch, for adjusting the power consumption, from 1% to 100%, and for turning the load ON or OFF.

It also has a trimmer for adjusting the lower limit.

One or more parallel buttons can be connected remotely to control the dimmer, as the following:

Instant pressing of the button, turns the load ON or OFF.

Continuous pressing, increases or decreases the light intensity.

Loads

Dimmable LED lamps, up to 2A peak, depending on the lamp.

Incandescent and halogen lamps.

Electronic transformers, up to 300 VA.

CAUTION: NO electromagnetic transformers.

Technical specifications

Operating voltage	230 Volts a.c. / 50Hz
Load	3 W - 400 W
Protection from short circuit / overload	Electronic protection and thermal protection
Operating temperature	-10 °C to +60 °C
Maximum humidity	95 %
Constraction material	ABS
Dimention	80 mm x 80mm x 50mm



Made in **Greece**

The company reserves the right to change the features for the purpose of improving the product.